

OMS 126 S

Fast Ethernet Optical Media Smart Switch



OMS 126 S – 150 for POF Cable type 1,5 mm
OMS 126 S – 220 for POF Cable type 2,2 mm

Applications:

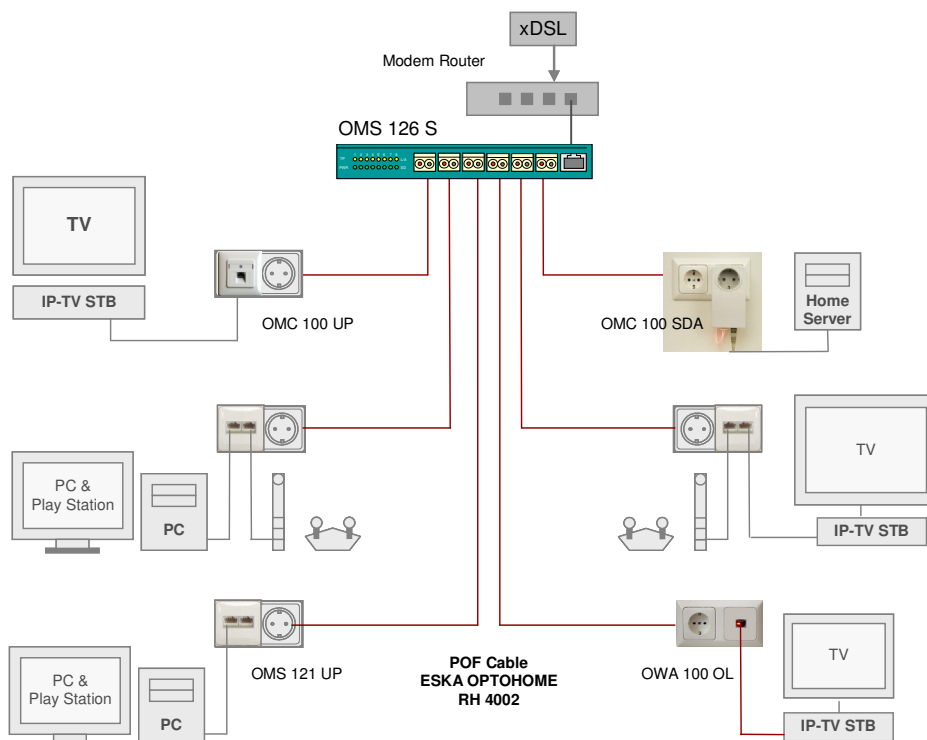
- IP – TV, Multimedia & Home Networks
- Media Center & Audio-Video Streaming
- For Local Area Networks & Office



Optical Link

Properties:

- 6 x POF Port with OptoLock™ Interface
- 1 x Ethernet Port – RJ45 Standard
- IEEE 802.3 Ethernet und IEEE 802.3u Fast Ethernet Standard
- Store and Forward Switching with 4K MAC Adress Table
- Built-in 2.75Mb embedded RAM
- Smart Switch
- Web interface for switch management and setup
- Supports port mirroring function
- Supports IGMP snooping function – version V1 and V2
- Supports broadcast storm and bandwidth control
- Support port and tag based VLAN
- Easy use fiber connector with visible light source
- RoHS compliant



Network architecture with various optical system components and OMS126S

OMS126S is a web manageable smart switch designed for plastic optical fiber (POF) applications. It contains six POF Optolock ports, one gigabit RJ45 and one gigabit SFP port. The communication distance of the POF and RJ45 ports is 50m and 100m, respectively. The SFP port allows the usage of different (optional) SFP transceivers. Either 1.5 or 2.2mm POF can apply to Optolock ports directly, depending on the device model. This device complies with IEEE802.3, IEEE802.3u, IEEE802.3ab and IEEE802.3z standards.

The switch can be used for home or small office use on polymer optical fiber networks. Typical application includes multimedia, PC and IP-TV networks. Each POF port can be connected to a computer, modem, or multimedia device. Switching functions among POF and gigabit ports will be automatically invoked when source and destination addresses are clearly specified. The web management function supports flow control, port monitoring, IGMP snooping, VLAN, broadcast storm control, and bandwidth control. Users can remotely configure the smart switch through browsers, no extra program is needed.

Tech. Specifications	OMS 126S
Standard compliance	IEEE 802.3, IEEE 802.3u IEEE 802.3ab, IEEE 802.3z, IEEE 802.1Q VLAN and 802.1p QoS
Electromagnetic Emissions	FCC Part 15, Class B EN 55022, Class B
Source	RCLED 650 nm
Weight	655 g
Connector Fibre Connector Copper Connector Backside	6 x Firecomms OptoLock™ 1,5 or 2,2 mm Cable; 1 x RJ45 Port 1 x SFP Port
Wavelength	650nm
Operating Temperature	0 bis +50°C
Storage Temp	-10 bis +70°C
Dimensions	ca. 196 x 30 x 124 mm
Required Power Supply	5V DC; 1.6A max.
Recommended POF Cable	Step Index Fibre; e.g. Mitsubishi ESKA OPTOHOMERH4002 (NA 0,5)
Applications	Optimized for IP-TV and Multimedia; PC and Office networks